

PROJECT NAME	
CATALOG NO.	
FIXTURE SCHEDULE	
COMMENTS	

FEATURES

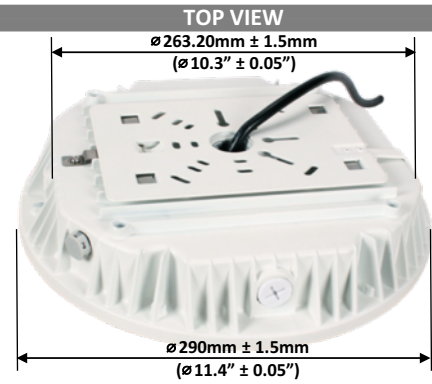
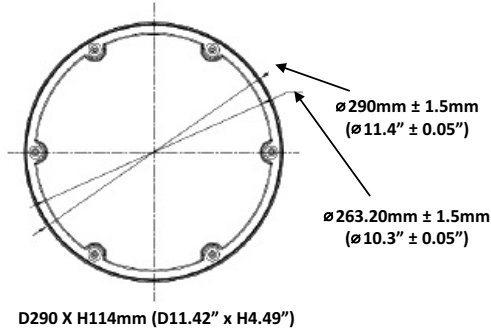
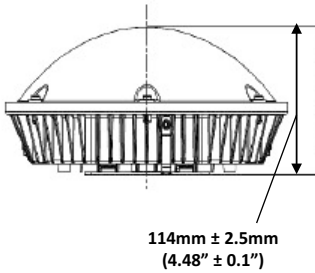
- Input Voltage: AC120-277V
- Power Factor: >0.9
- CCT: 3000, 4000, 5000, 5700K
- CRI: RA80
- Beam angle: 160°
- Dimmable: 1-10V
- Lifespan: 50,000 hrs
- Working Temp: -20~40°C/-4~104°F
- Installation: Surface-mounted, NPT, Pole-mounted
- Aluminum Alloy
- Nichia 757G-V1
- Occupancy sensor option
- 5-Year Limited Warranty



ACCESSORY

- Installation
 - NPT Conduit Mount
 - Surface-Mount
 - Side-Conduit Mount
- Others
 - Extended wires
 - Waterproof connector
 - Plugs

DIMENSIONAL DRAWING



SPECIFICATIONS

MODEL	WATT (W)	LUMEN (LM)	LUMEN (LM/W)	CRI (RA)	PF	VOLTAGE (V)	BEAM ANGLE	COLOR (K)	DIMENSION	WEIGHT
OMB1-CPR-40	40	5400	135	>80	>0.9	120-277	160°	3000, 4000, 5000, 5700	D290xH114mm/D11.42xH4.49"	3.97lbs
OMB1-CPR-60	60	8100	135	>80	>0.9	120-277	160°	3000, 4000, 5000, 5700	D290xH114mm/D11.42xH4.49"	3.97lbs

SURFACE-MOUNTED WITH J-BOX

- Loosen the screw on the side of the housing and pull out the connecting plate
- Fix the connecting plate onto the ceiling and put the wire through center hole
- Buckle the connecting plate into the clips and connect the wires as following shows
- Slide lamp back into the connecting plate and fix the screw that is removed in step one

Pendent Installation with 3/4 inch conduit

- Loosen the screw on the side of the housing and pull out the connecting plate
- Connect the wires as following shows
- Screw the lamp and conduit pole together tightly

Sensor set-up

- Remove the lens
- Adjust the combination of DIP switches with appropriate tool according to needs
- Put back the lens and check the function of sensor

SURFACE-MOUNTED WITH SIDE-WIRING

- Loosen the screw on the side of the housing and pull out the connecting plate
- Cut off wires coming out of 3/4" hole and seal the hole with provided plug. Drill 4 holes on four corners and fix it onto the ceiling with suitable screws
- Remove 1/2" plug against the direction you intend to connect the conduit
- Relocate the wire from 3/4" hole to 1/2" hole and connect to the conduit as following
- Put back the middle metal cover and lens, make sure no wires are pinched or exposed during the whole process