

PROJECT NAME	
CATALOG NO.	
FIXTURE SCHEDULE	
COMMENTS	

DESCRIPTION

OMG3-CP is designed to replace metal halide and high pressure solid canopy light. It can replace 70W-250W MH/HPS canopy with lighting efficacy up to 126lm/w, over 70% energy saving.

Optimized thermal design, separating driver from heat sink, features excellent heat dissipation, LED TC<75°C (25°C ambient). Excellent thermal management ensures long life, 150,000 hours per L70 TM-21@25°C.



DIMMING 0-10V	PHOTOCELL SENSOR	MOTION SENSOR	EMERGENCY BATTERY BACK-UP
------------------	---------------------	------------------	------------------------------

Thoughtful construction design, allows hand free for wiring connection (for ceiling mount), provides access to driver for quick maintenance, without opening light source.

In addition, this fixture offers multiple options to meet any need-e.g. electric controls, optics, mounting possibilities, emergency back-up, and surge protection, etc.



SPECIFICATIONS

MODEL	WATT (W)	LUMEN (LM)	LUMEN (LM/W)	CRI (RA)	PF	VOLTAGE (V)	CCT (K)	DIMENSION	BEAM ANGLE	IP	PHOTOCELL& MOTION SENSOR	DIMMING
OMG3-CP-20	20	2520	126	>75	>0.9	120-277	4000, 4500, 5000	9.8x9.8x3.4"	120, 160°	65	OPTIONAL	OPTIONAL
OMG3-CP-30	30	3780	126	>75	>0.9	120-277	4000, 4500, 5000	9.8x9.8x3.4"	120, 160°	65	OPTIONAL	OPTIONAL
OMG3-CP-40	40	5040	126	>75	>0.9	120-277	4000, 4500, 5000	9.8x9.8x3.4"	120, 160°	65	OPTIONAL	OPTIONAL
OMG3-CP-55	55	6930	126	>75	>0.9	120-277	4000, 4500, 5000	9.8x9.8x3.4"	120, 160°	65	OPTIONAL	OPTIONAL
OMG3-CP-80	80	10080	126	>75	>0.9	120-277	4000, 4500, 5000	9.8x9.8x3.4"	120, 160°	65	OPTIONAL	OPTIONAL

Notes: Product performance may vary depending on model and end user environment. If you need photometric and IES files, please contact us.

FEATURES

- High system efficacy up to 126 LPW
- Class II UL listed driver
- Die-casting Aluminum heat sink, LED TC<75°C (@25°C ambient)
- Optimized thermal design, separating driver from heat sink
- Excellent thermal management ensures long lifespan
- UV resistant high quality lens
- Various mounting brackets for different applications
- Environmentally friendly surface finish
- Multiple optics allowing flexible designs
- Reduces energy consumption over 70%

MOUNTINGS

- Surface mount
- Pendant mount with 3/4" NPT
- Quick mount with bracket (*Sold separately)

ELECTRICAL

- 100-277V, and 347-480V available
- System power factor >90% and THD <20%
- LED driver with non-dimming and 0-10V dimming

HOUSING FINISH

- Die-casting Aluminum heat sink
- UV resistant high quality lens
- Bronze finish standard, black and white optional
- RAL & custom colors available

CONTROLS

- 0-10V dimming optional
- Photocell sensor optional
- Dimming motion sensor optional
- Remote controller optional
- Emergency back-up optional
- Surge protection optional

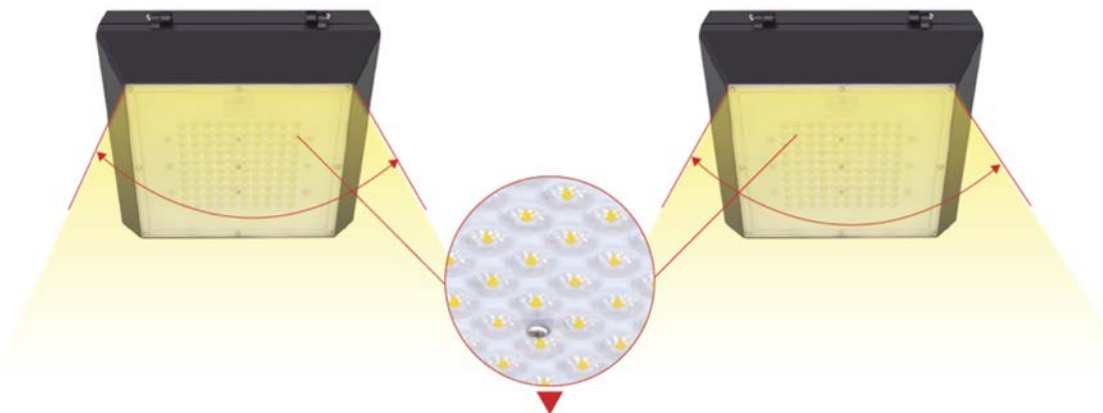
OPTICS

- Wide Beam: 120° (Std.)
- Wide Beam: 160° optional

RATINGS

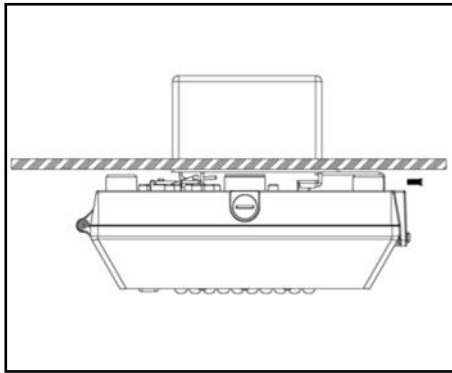
- 150,000 hours per L70 TM-21@25°C/77°F
- Temperature rated at -25~45°C/-13~113°F
- Quick mount with bracket (*Sold separately)

OPTICS SELECTION

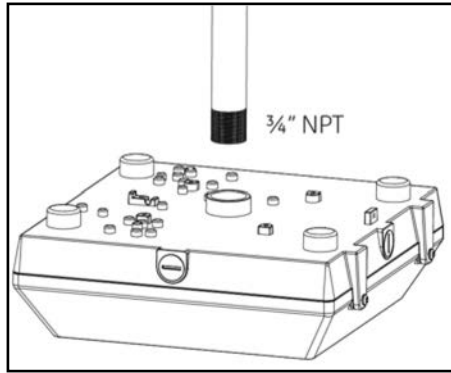


Unique optical lens, distributing lights more uniformly on the ground.

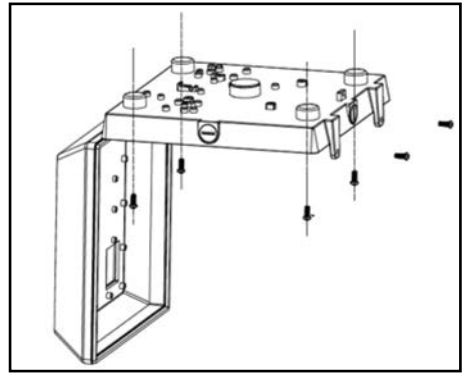
INSTALLATION OPTIONS



Quick Plate Mount

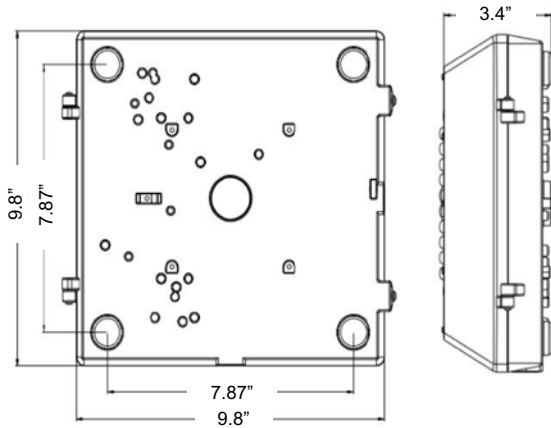


Pendant Mount



Surface Mount

DIMENSIONAL DRAWING



ORDERING INFORMATION

(Order Example: OMG3-CP40L50KB5PDME (40W, 100-277V, 5000K, Bronze finish, WP driver, Photocell, Dimming, Motion Sensor, Emergency, No accessories))

MODEL	WATTAGE	VOLTAGE	CCT	FINISH	DRIVER BRAND	CONTROLS
OMG3-CP	20=20W	L=100-277V	40K=4000K	W=White	1=YG	Blank=None
	30=30W	H=347-480V	45K=4500K	B=Bronze	2=MW	D=Dimming
	40=40W		50K=5000K	BK=Black	5=WP	P=Photocell
	55=55W					M=Motion Sensor
	80=80W					E=Emergency Battery

NOTES

- Voltage must be specified
- Specify finish color to match fixture, e.g. B=Bronze (Std.)
- Dimming is 0-10V dimming

*Special order- contact us for availability and details.

APPLICATION

Suitable for damp and wet locations, the fixture is ideal for underground parking lots, gas stations, entry way, garages, warehouses, storages, etc.

