

PROJECT NAME	
CATALOG NO.	
FIXTURE SCHEDULE	
COMMENTS	

DESCRIPTION

UL unfold the bat series retrofit kits led bulb corn light EX39 Horizontal plug 110w replacement HID 450w use led tunnel light replacement of HPS, HID, etc.

Patent design, Isolated driver, perfect heat dissipation system.



- >4KV high surge protection
- Color Temperature: 3000-6000K
- Wattage: 80/110W
- Operating Temp: -40°F~140°F(-40°C to 60°C)
- Beam Angle: 180°
- High light Efficiency: 130lm/W
- Voltage: 100-277VAC
- CRI: >80Ra
- IP Rating: IP64
- Lifespan: 50,000 hours
- UL Listed, DLC Qualified
- Ballast bypass, connects to line voltage
- Flame-retardant casing
- Instant-on with no warm up
- 5-Year Limited Warranty

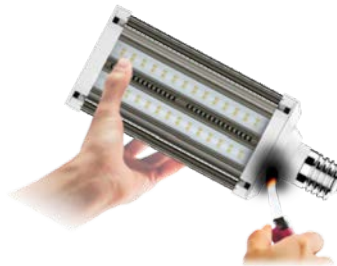


SPECIFICATIONS

MODEL	WATT (W)	LUMEN (LM)	LUMEN (LM/W)	CRI (RA)	PF	VOLTAGE (V)	CCT (K)	BEAM ANGLE	WEIGHT	IP	EQUAL TO	BASE
OMG5-CN2-80	80	10400	130	>80	>0.9	100-277	3000-6000	180°	N 2.69lbs G 2.91lbs	64	250W HPS MHL HID	E39
OMG5-CN2-110	110	14300	130	>80	>0.9	100-277	3000-6000	180°	N 3.66lbs G 3.88lbs	64	400W HPS MHL HID	E39

FEATURES

- Cost-effective solid state solution for LED area light applications, replacing high-wattage HID luminaires.
- 130lm/W ultra-high efficiency delivers superior performance over legacy HID
- 180° beam angle, lamp body folds out to provide directional lighting
- Install into mogul socket, turn the rotatable lamp body to face desired area, and unfold lamp to fully illuminate desired area; see installation manual for additional details.

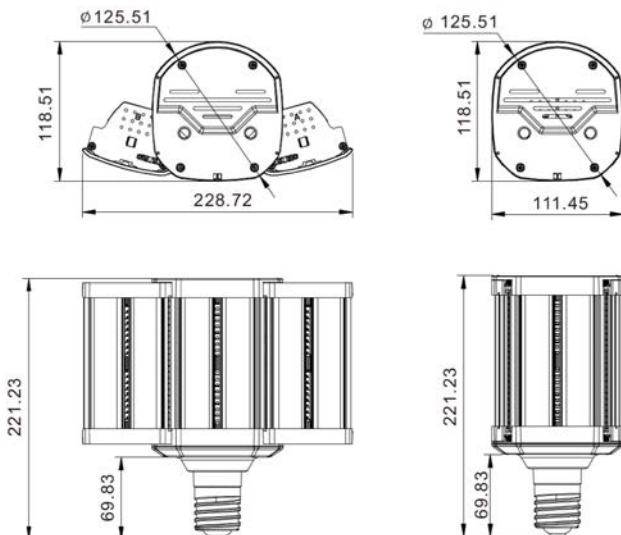


Flame retardant material

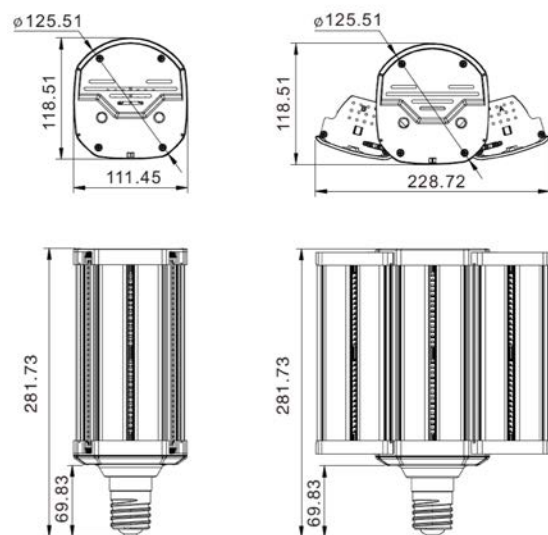
IP64 Waterproof Design

DIMENSIONS (mm)

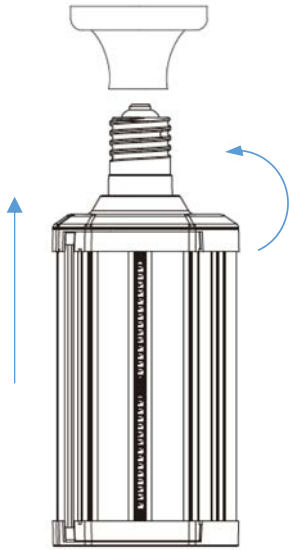
80W



110W



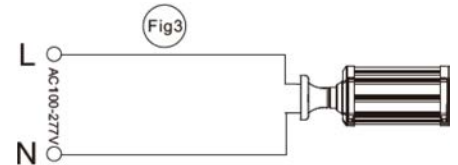
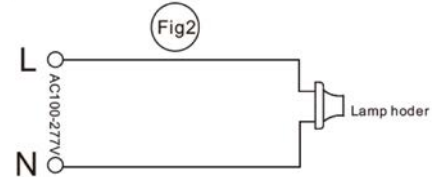
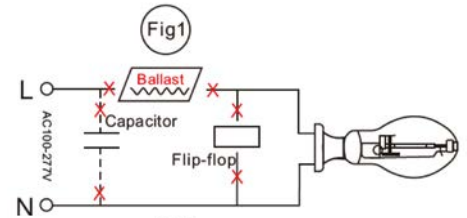
INSTALLATION



Step1:
Shown as Figure 1
Remove old ballast or disconnect from existing lamp holder. Remove and dispose of ballast in correct manner.

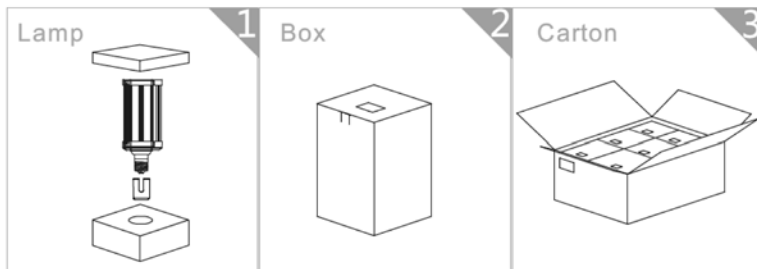
Step2:
Shown as Figure 2
Reconnect directly to the existing lamp holder.

Step3:
Shown as Figure 3
Install new LED replacement lamp. Please make sure the old fitting is correctly earth.



PACKING

WATT	INNER BOX	N.W PER LAMP	G.W PER LAMP	G.W PER CARTON	CARTON SIZE	QTY PER CARTON
80	155x155x265mm/6.1x6.1x10.4"	1.22kg / 2.69lbs	1.32kg / 2.91lbs	8.12kg / 17.90lbs	325x330x280mm/12.8x13.0x11.0"	6PCS
110	155x155x325mm/6.1x6.1x12.8"	1.66kg / 3.66lbs	1.76kg / 3.88lbs	10.76kg / 23.72lbs	325x330x340mm/12.8x13.0x13.4"	6PCS



CAUTIONS

- Risk of electric shock. Do not use where directly exposed to water.
- All these 80W, 110W suitable for use in totally enclosed luminaires.
- Don't take apart the lamps without our permit.
- Please read the manual carefully before installation.

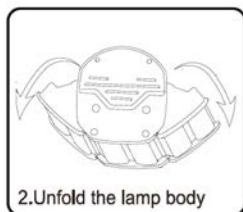
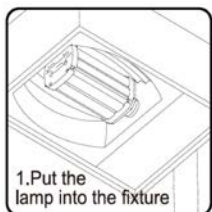


WARNING: THE LAMP BODY MUST BE EXTENDED WITH 2 SIDES TO LIGHT UP!



CAUTIONS

Do not use with dimmers, for use in totally enclosed recessed fixtures.



APPLICATIONS

Acorn lamp, Wall pack, Shoe box, Street lights

