

| | |
|------------------|--|
| PROJECT NAME | |
| CATALOG NO. | |
| FIXTURE SCHEDULE | |
| COMMENTS | |

FEATURES

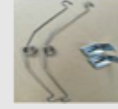
- Super slim designed
- Color Temperature: 3000/4000/5000K
- LED Type: SMD2835
- Driver/Connection: Driver inside
- Input voltage: AC 120V / 60Hz
- Power Factor/THD/PE: >90% / <30 / 70%
- Beam Angle: 120°
- Overload / Short Circuit: Protection
- Operating Temp: -20~40°C / -4~104°F
- Storage Temp: -40~85°C / -40~185°F
- Lifespan: 80,000 Hours
- LM80: >97.1% lumen maintenance @6000hrs
- Dimmable Solution: Triac (UL)
- Frame Color RAL: White (Black & Nickel Option)
- 5-Year Limited warranty



ACCESSORIES



SPRING MANGANESE STEEL SLAB
6W accessory option



SPRING + Angle Code
12/18/24W accessory option

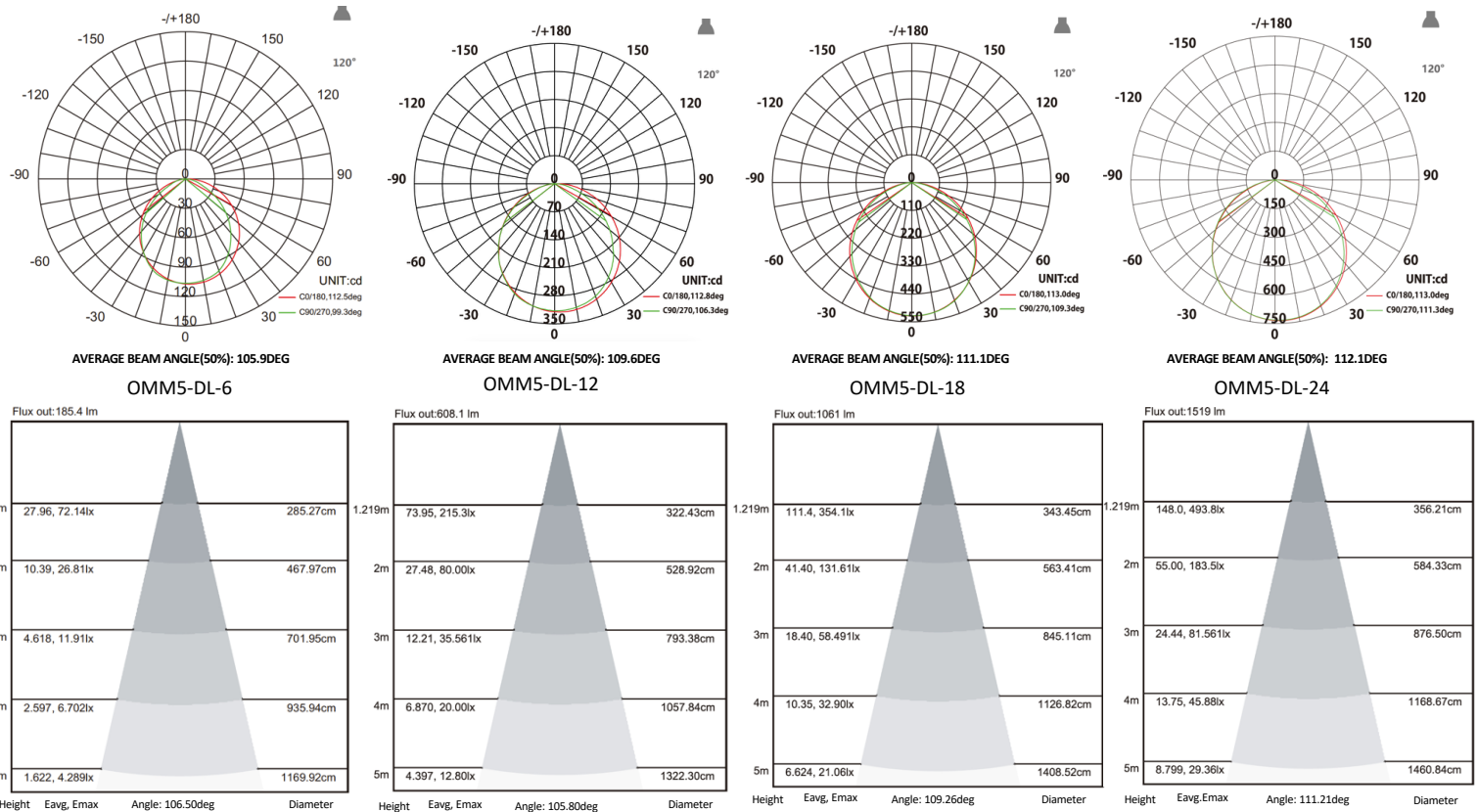


E26 + Connector
Accessory option

SPECIFICATIONS

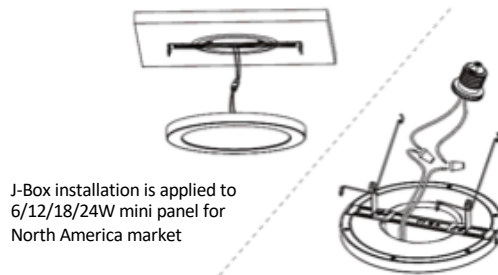
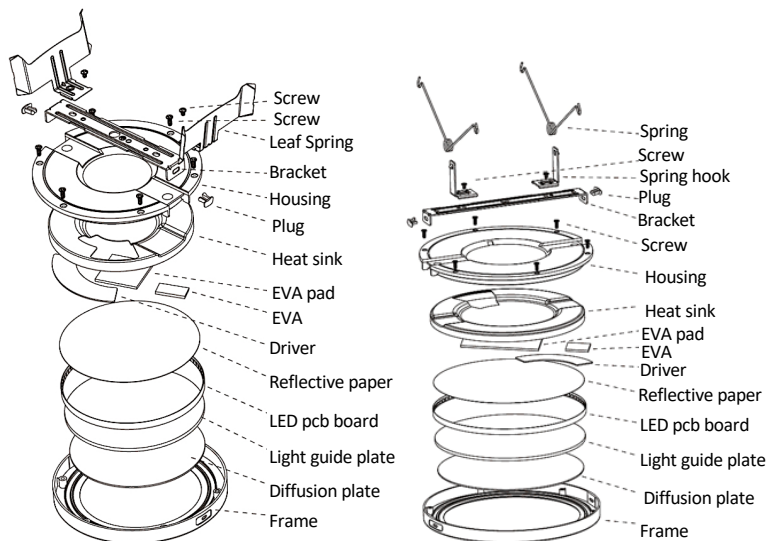
| MODEL | WATT (W) | LUMEN (LM) | LUMEN (LM/W) | CRI | VOLTAGE (V) | PF | CCT (K) | DRIVER OUTPUT DATA | DIMENSIONS | BEAM ANGLE | LED TYPE/QTY | IP | DIMMING |
|------------|----------|------------|--------------|-----|--------------|------|------------------|--------------------|------------|------------|----------------|----|---------|
| OMM5-DL-6 | 6 | 348 | 58 | >80 | AC 120V/60Hz | >0.9 | 3000, 4000, 5000 | 120Vdc/35mA/4.2W | ø5 x 0.5" | 120° | SMD2835/45PCS | 20 | Triac |
| OMM5-DL-12 | 12 | 768 | 64 | >80 | AC 120V/60Hz | >0.9 | 3000, 4000, 5000 | 120Vdc/70mA/8.4W | ø7 x 0.5" | 120° | SMD2835/90PCS | 20 | Triac |
| OMM5-DL-18 | 18 | 1242 | 69 | >80 | AC 120V/60Hz | >0.9 | 3000, 4000, 5000 | 120Vdc/105mA/12.6W | ø9 x 0.5" | 120° | SMD2835/90PCS | 20 | Triac |
| OMM5-DL-24 | 24 | 1752 | 73 | >80 | AC 120V/60Hz | >0.9 | 3000, 4000, 5000 | 120Vdc/140mA/16.8W | ø12 x 0.5" | 120° | SMD2835/135PCS | 20 | Triac |
| OMM5-DL-30 | 30 | 2400 | 80 | >80 | AC 120V/60Hz | >0.9 | 3000, 4000, 5000 | 120Vdc/175mA/19.0W | ø14 x 0.5" | 120° | SMD2835/192PCS | 20 | Triac |
| OMM5-DL-36 | 36 | 3060 | 85 | >80 | AC 120V/60Hz | >0.9 | 3000, 4000, 5000 | 120Vdc/210mA/23.2W | ø16 x 0.5" | 120° | SMD2835/268PCS | 20 | Triac |

POLAR CURVES WIDE DISTRIBUTION



Note: The curves indicate the illuminated area and the average illumination when the luminaire is at different distance.

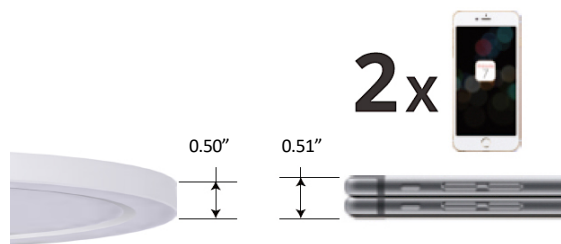
INSTALLATION METHOD



5/6" Can is applied to 12/18/24W mini panel for North America market



DIMENSION



APPLICATIONS



PACKAGE INFORMATION

| | OMM5-DL-6 | OMM5-DL-12 | OMM5-DL-18 | OMM5-DL-24 |
|------------------|------------------------------------|------------------------------------|------------------------------------|------------------------------------|
| CARTON | <p>60pcs 12x11.6x11.8"</p> | <p>40pcs 15.2x8.3x15.4"</p> | <p>20pcs 18.7x8.3x9.5"</p> | <p>10pcs 12.6x8.3x12.6"</p> |
| CONTAINER (20ft) | <p>55860pcs 20ft 8ft 9.6ft</p> | <p>30000pcs 20ft 8ft 9.6ft</p> | <p>21600pcs 20ft 8ft 9.6ft</p> | <p>12600pcs 20ft 8ft 9.6ft</p> |
| CONTAINER (40ft) | <p>11720pcs 40ft 8ft 9.6ft</p> | <p>60000pcs 40ft 8ft 9.6ft</p> | <p>43200pcs 40ft 8ft 9.6ft</p> | <p>25200pcs 40ft 8ft 9.6ft</p> |