

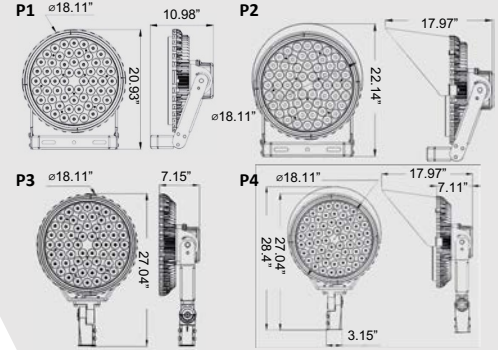
PROJECT NAME	
CATALOG NO.	
FIXTURE SCHEDULE	
COMMENTS	

FEATURES

- Certification: UL, CE, RoHS, TUV, DLC, SAA, IEC
- IP65 Water-proof
- Easy Installation
- AC100-277V 50/60Hz
- Color Temperature: 3000K/4000K/5700K
- Power supply: MeanWell
- Beam Angle: 30/120°
- Lifespan: 50,000 Hours
- Dimmable (optional): 0-10V/DALI/DMX/WIFI/RGB
- 5-Year Limited warranty



DIMENSIONS (inch)



SPECIFICATIONS

MODEL	WATT (W)	LUMEN (LM)	LUMEN (LM/W)	CRI	VOLTAGE (V)	POWER FACTOR	CCT (K)	BEAM ANGLE	LEDS	WEIGHT	IP	DIMMING
OMB6-FL-300	300	39000	130	>80	100-277	0.92	3000, 4000, 5700	30° 120°	CREE XHP50.2 PHILIPS3030 PHILIPS5050	19kg/41.89lbs	65	Optional
OMB6-FL-400	400	52000	130	>80	100-277	0.92	3000, 4000, 5700	30° 120°	CREE XHP50.2 PHILIPS3030 PHILIPS5050	19kg/41.89lbs	65	Optional
OMB6-FL-500	500	65000	130	>80	100-277	0.92	3000, 4000, 5700	30° 120°	CREE XHP50.2 PHILIPS3030 PHILIPS5050	19kg/41.89lbs	65	Optional

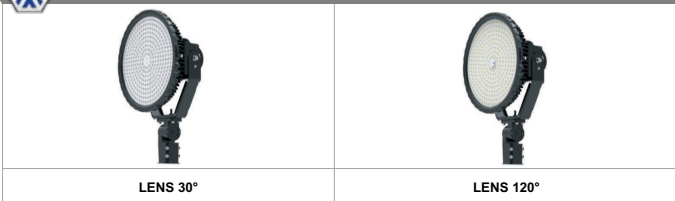
P1 MODEL OPTIONS



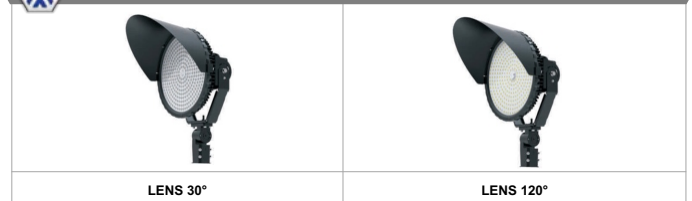
P2 MODEL OPTIONS



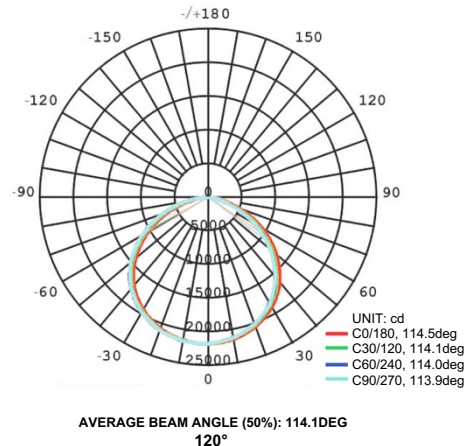
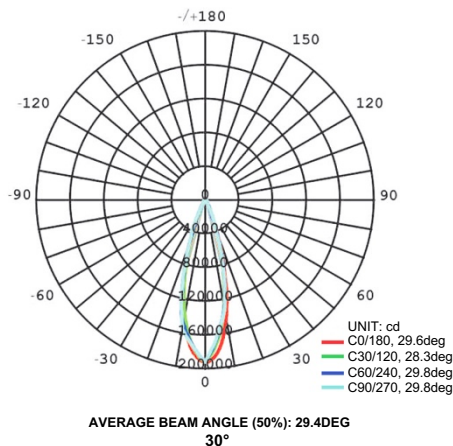
P3 MODEL OPTIONS



P4 MODEL OPTIONS

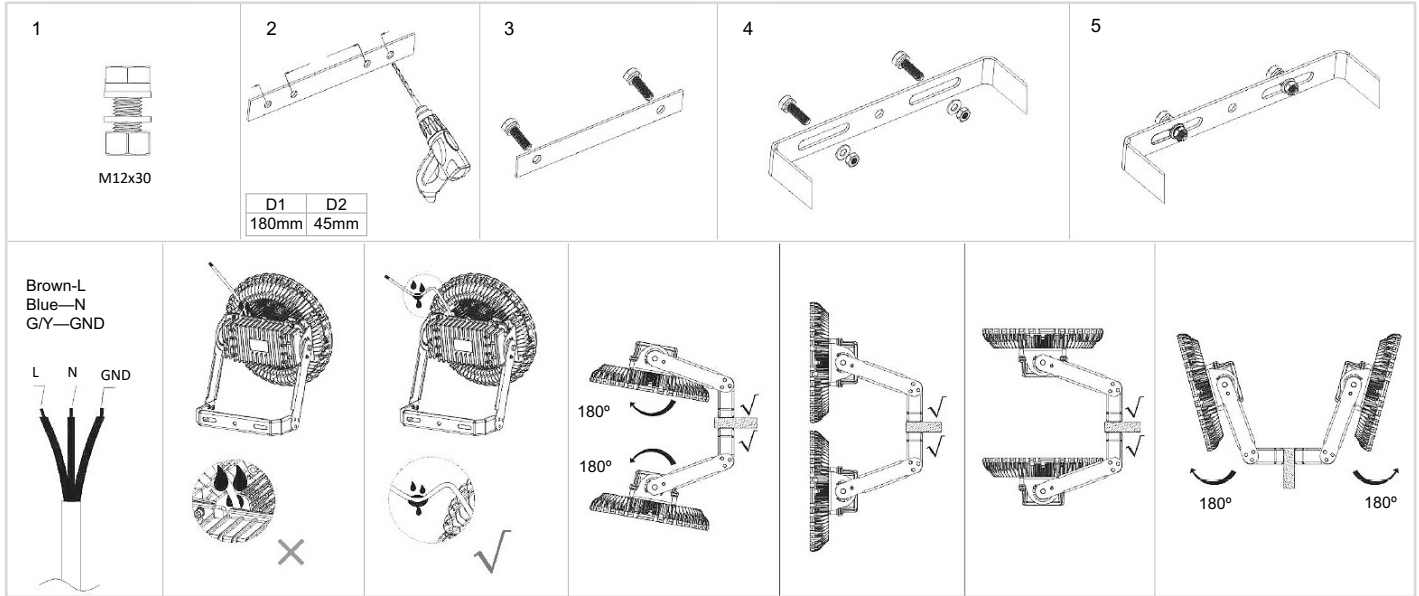


PHOTOMETRY

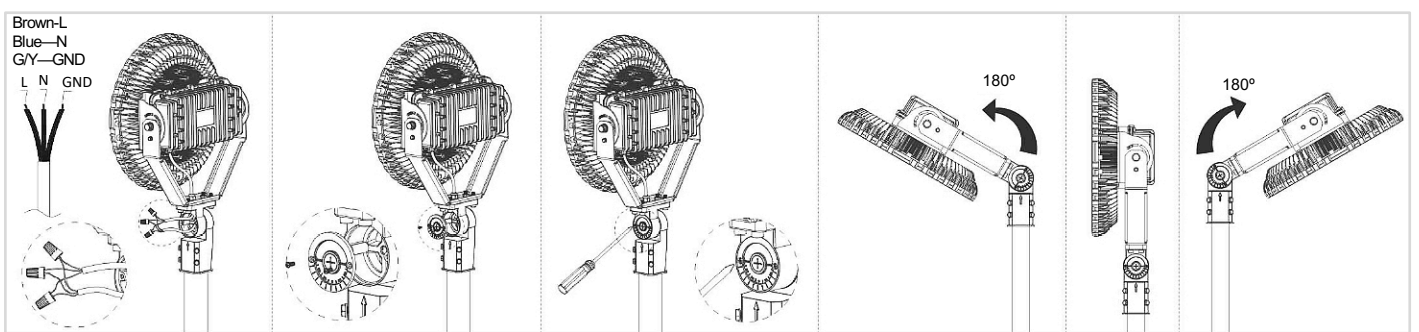


INSTALLATION AND USE

P1 U-Shaped bracket



P3 Slip Fitter

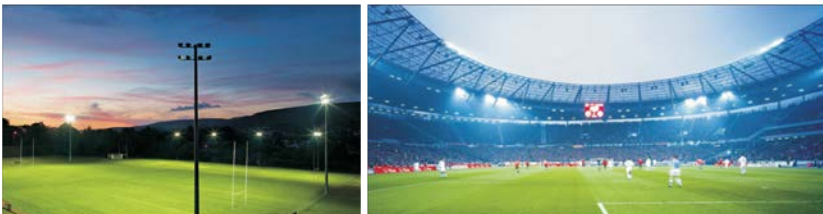


LASER SIGHT



APPLICATIONS

Sports lighting, Stadium lighting, Sports fields, Parking lots, High mast installations dock, railway and container yards, Ports and other large scale outdoor applications, Architectural lighting, Landscape lighting, Industrial and commercial exterior lighting, Decorative lighting for holidays, tradeshows, exhibitions.



PACKING INFO	BOX		
	Measurement (LxWxH)	Gross Weight	PCS /BOX
300/400W	710x570x295mm/ 27.95x22.44x11.61"	20.3kg/ 44.75lbs	1
500W	710x570x295mm/ 27.95x22.44x11.61"	20.3kg/ 44.75lbs	1