

PROJECT NAME	
CATALOG NO.	
FIXTURE SCHEDULE	
COMMENTS	

### FEATURES

OMJ3-SL series distills the benefits of the latest in LED technology into a high performance, high efficacy, long-life luminaire. The outstanding photometric performance results in sites with excellent uniformity, greater pole spacing and lower power density. This series is the better alternative for traditional street and area lighting with quick payback and improved performance.

Driver is mounted in direct contact with the chamber for a low operating temperature and long life. (Driverless)

Integral secondary heat sink to optimize thermal transfer and maximize performance and life of LED.



- Input Voltage: 120/240/277V 50/60Hz
- Type2 Optics (Type3, Type5 optional)
- Power Factor: >0.99 at full load
- Total Harmonic Distortion: <15% at full load
- Integral 10kV surge suppression protection standard
- Ambient temp: -40~50°C (-40~122°F)
- Providing excellent resistance to corrosion
- Ultraviolet degradation and abrasion
- Finish: Gray (Silver, black, bronze, platinum bronze, white, etc. optional)
- IP66 rated LED light
- Photo cell sensor optional
- CCT: 3000, 4000, 4500, 5000, 5700K
- 10-Year Limited Warranty



### SPECIFICATIONS

MODEL	WATT (W)	DIST TYPE	3000K, 70CRI				4000K, 70CRI				5000K, 70CRI				5700K, 70CRI				LEDS	VOLTAGE (V)	EPA	DIMENSION	WEIGHT	IP	DIMMING				
			LM	B	U	G	LPW	LM	B	U	G	LPW	LM	B	U	G	LPW	LM								B	U	G	LPW
OMJ3-SL-25	25	T2	3193	1	0	1	128	3468	1	0	1	139	3517	1	0	1	141	3552	1	0	1	142	16	120-277	0.05m <sup>2</sup> / (0.5 ft) <sup>2</sup>	458x260x102mm / 18.03x10.24x4.02"	3kg/ 6.6lb	65	0-10V
		T3	3229	1	0	1	129	3507	1	0	1	140	3556	1	0	1	142	3592	1	0	1	144							
		T4	3089	1	0	1	124	3355	1	0	1	134	3402	1	0	1	136	3436	1	0	1	137							
		T5	3279	2	0	1	131	3561	2	0	1	142	3611	2	0	1	144	3647	2	0	1	146							
		T2	5648	2	0	2	113	6134	2	0	2	123	6220	2	0	2	124	6282	2	0	2	126							
OMJ3-SL-50	50	T3	5712	1	0	1	114	6203	1	0	1	124	6290	1	0	1	126	6353	1	0	1	127	16	120-277	0.05m <sup>2</sup> / (0.5 ft) <sup>2</sup>	458x260x102mm / 18.03x10.24x4.02"	3kg/ 6.6lb	65	0-10V
		T4	5464	2	0	2	109	5934	2	0	2	119	6017	2	0	2	120	6077	2	0	2	122							
		T5	5799	3	0	1	116	6298	3	0	1	126	6386	3	0	1	128	6450	3	0	1	129							
		T2	8951	2	0	2	119	9721	2	0	2	130	9857	2	0	2	131	9956	2	0	2	133							
		T3	9052	2	0	2	121	9830	2	0	2	131	9968	2	0	2	133	10068	2	0	2	134							
OMJ3-SL-75	75	T4	8659	2	0	2	115	9404	2	0	2	125	9535	2	0	2	127	9631	2	0	2	128	32	120-277	0.05m <sup>2</sup> / (0.5 ft) <sup>2</sup>	458x260x102mm / 18.03x10.24x4.02"	3kg/ 6.6lb	65	0-10V
		T5	9190	3	0	1	123	9981	3	0	1	133	10121	3	0	1	135	10222	3	0	1	136							
		T2	10450	3	0	3	105	11349	3	0	3	113	11508	3	0	3	115	11623	3	0	3	116							
		T3	10568	2	0	2	106	11477	2	0	2	115	11638	2	0	2	116	11754	2	0	2	118							
		T4	10109	2	0	2	101	10979	2	0	2	110	11132	2	0	2	111	11244	2	0	2	112							
OMJ3-SL-100	100	T5	10729	3	0	1	107	11652	3	0	1	117	11816	3	0	1	118	11934	3	0	1	119	32	120-277	0.05m <sup>2</sup> / (0.5 ft) <sup>2</sup>	458x260x102mm / 18.03x10.24x4.02"	3kg/ 6.6lb	65	0-10V
		T2	14218	3	0	3	118	15443	3	0	3	129	15659	3	0	3	130	15814	3	0	3	132							
		T3	14370	2	0	2	120	15607	2	0	2	130	15826	2	0	2	132	15982	2	0	2	133							
		T4	14692	2	0	2	122	15957	2	0	2	133	16181	2	0	2	135	16340	2	0	2	136							
		T5	14658	4	0	2	122	15920	4	0	2	133	16143	4	0	2	135	16302	4	0	2	136							
OMJ3-SL-120	120	T2	16669	3	0	3	111	18105	3	0	3	121	18358	3	0	3	122	18540	3	0	3	124	64	120-277	0.08m <sup>2</sup> / (0.8 ft) <sup>2</sup>	572x330x134mm / 22.5x13x5.3"	6.5kg/ 14.5lb	65	0-10V
		T3	16847	2	0	2	112	18298	2	0	2	122	18554	2	0	2	124	18737	2	0	2	125							
		T4	17225	2	0	2	115	18709	2	0	2	125	18971	2	0	2	126	19158	2	0	2	128							
		T5	17185	4	0	2	115	18665	4	0	2	124	18972	4	0	2	126	19113	4	0	2	127							
		T2	20330	4	0	4	102	22081	4	0	4	110	22390	4	0	4	112	22611	4	0	4	113							
OMJ3-SL-200	200	T3	20546	3	0	3	103	22316	3	0	3	112	22628	3	0	3	113	22852	3	0	3	114	64	120-277	0.08m <sup>2</sup> / (0.8 ft) <sup>2</sup>	572x330x134mm / 22.5x13x5.3"	6.5kg/ 14.5lb	65	0-10V
		T4	21007	3	0	3	105	22817	3	0	3	114	23136	3	0	3	116	23362	3	0	3	117							
		T5	20959	4	0	2	105	22764	4	0	2	114	23083	4	0	2	115	23310	4	0	2	118							

Lumen values are from photometric tests performed in accordance with IESNA LM-79-08. Data is considered to be representative of the configurations shown, within the tolerances allowed by Lighting Facts. Actual performance may differ as a result of end user environment and application. Actual wattage may differ by +/- 10% when operating between 120-277V +/- 10%. (B= Back Light Rating U= Up Light Rating G= Glare Rating)

### REGULATORY & VOLUNTARY QUALIFICATIONS

- cULus Listed.
- Suitable for wet locations.
- Certified to ANSI C136.31-2001, 3G vibration standards.
- 10kV surge suppression protection tested in accordance with IEEE/ANSI C62.41.2.
- Meets FCC Part 15 standards for conducted and radiated emissions.
- Luminaire and finish endurance tested to withstand 3,000 hours of elevated ambient salt fog conditions as defined in ASTM Standard B 117.
- Dark Sky Friendly, IDA Approved.
- RoHS compliant. Consult factory for additional details.
- Design Lights Consortium ®(DLC) qualified product. Not all versions of this product may be DLC qualified.

### NOTES

- Requires Less Photocontrol Receptacle, ANSI 3-wire Photocontrol Receptacle, ANSI 5-wire Photocontrol Receptacle or ANSI 7-wire Photocontrol Receptacle option.
- Photocontrol (PE) requires 100-277 voltage or short cap option.
- Features an ultra-durable powder topcoat, providing excellent resistance to corrosion, ultraviolet degradation and abrasion. Gray, silver, black, bronze, platinum bronze, white and so on are available.

### APPLICATIONS

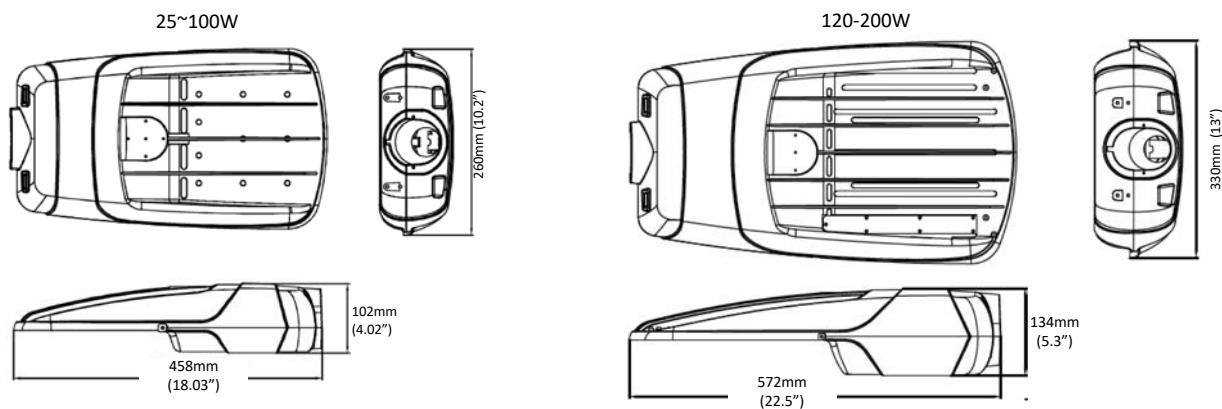
Roadway, Parking lots, Walkways and General area spaces



### CONSTRUCTION & MATERIALS

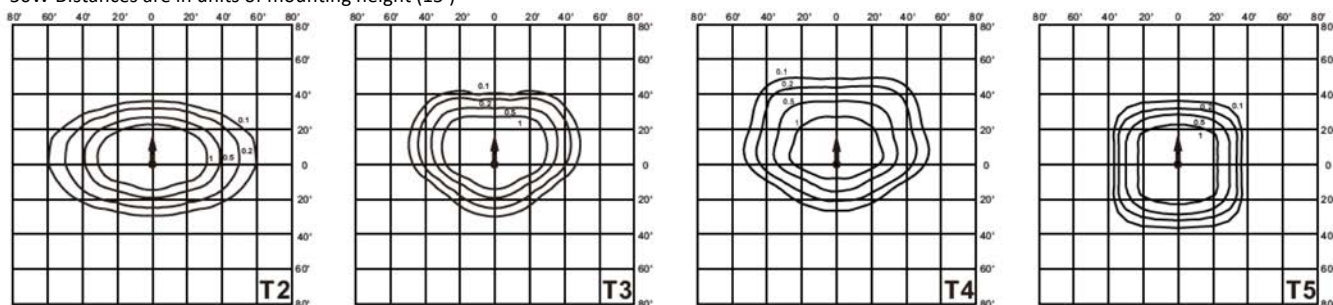
- Tool-less entry
- Designed with 0-10V dimming capabilities. Controls by others.
- Die cast aluminum housing with two-bolt bracket mounts to (1.66" or 2.38") O.D. diameter mast arm. Bracket available as an option.
- Leveling adjustment from ± 5°

## DIMENSIONAL DRAWING

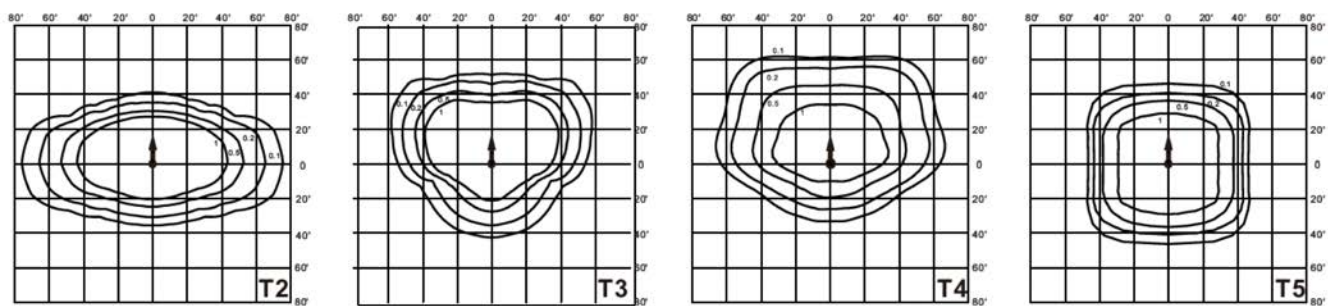


## PHOTOMETRIC DIAGRAMS

50W Distances are in units of mounting height (15')



120W Distances are in units of mounting height (15')



## ELECTRICAL DATA

### LUMINAIRE LUMEN MAINTENANCE FACTORS

WATT	LED CURRENT	CURRENT			LM MAINTENANCE FACTOR				
		120	240	277	0hr	25000hrs	50000hrs	75000hrs	100000hrs
25	75mA	0.21	0.11	0.10	100%	96%	92%	88%	84%
50	150mA	0.42	0.21	0.19	100%	96%	92%	88%	84%
75	115mA	0.63	0.32	0.28	100%	95%	91%	86%	82%
100	150mA	0.84	0.42	0.37	100%	95%	91%	86%	82%
120	100mA	1.0	0.5	0.44	100%	96%	92%	88%	84%
150	120mA	1.26	0.63	0.55	100%	95%	91%	87%	83%
200	150mA	1.67	0.84	0.73	100%	95%	90%	86%	81%

### LUMINAIRE AMBIENT TEMPERATURE (LAT) MULTIPLIERS

AMBIENT		LUMEN MULTIPLIERS
0°C	32°F	1.02
10°C	50°F	1.01
20°C	68°F	1.00
25°C	77°F	1.00
30°C	86°F	1.00
40°C	104°F	0.99

Data references the extrapolated performance projections for the platforms noted in a 25°C ambient, based on 9,000 hours of LED testing (tested per IESNA LM-80-08 and projected per IESNA TM-21-11). To calculate LLF, use the lumen maintenance factor that corresponds to the desired number of operating hours below. For other lumen maintenance values, contact factory.

### PACKAGE

WATT	ITEM DIMENSION	N.W. /CARTON	MASTER CARTON DIMENSIONS	G.W. /CARTON
25-100W	458x260x102mm/ 18.0x10.2x4.0"	2.8kg/ 6.2lbs	520x315x170mm/ 20.5x12.4x6.7"	4.5kg/ 9.9lbs
120-200W	572x330x134mm/ 22.5x13.0x5.3"	6.5kg 14.5lbs	625x380x200mm/ 24.6x14.9x7.9"	7.5kg/ 16.5lbs